



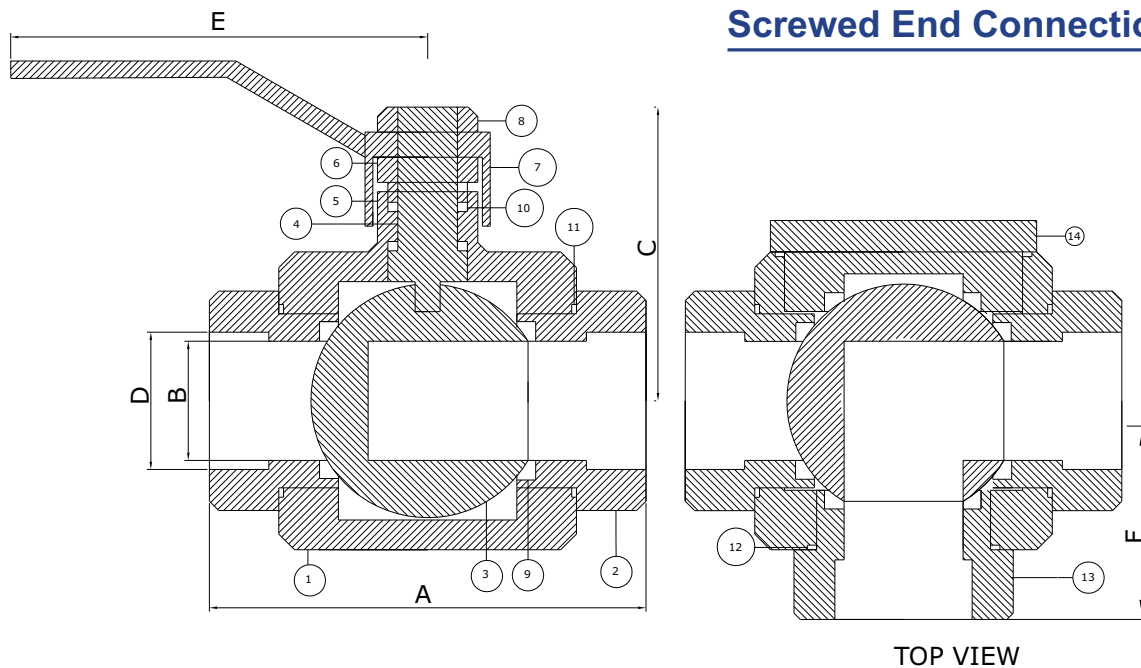
19, Gr.Floor,Shanta Industrial Premises Co-op Society Ltd, I.BPatel Road, Goregaon (East) Mumbai - 400063

Tel : 022-26858793 • Cell : 09821271748 • Telefax : 022-26852558

## THREE PIECE BALL VALVE

Sr. No.	NAME OF PARTS	MATERIAL
1	BODY	A.I.S.I 304 / 316 / M.S.
2	ADAPTOR	A.I.S.I 304 / 316 / M.S.
3	BALL	A.I.S.I 304 / 316
4	SPINDLE	A.I.S.I 304 / 316
5	BONNET	A.I.S.I. 304 / 316 / M.S.
6	GLANDNUT	A.I.S.I 304 / 316 / M.S.
7	HANDLE	S.S. / M.S.

Sr. No.	NAME OF PARTS	MATERIAL
8	NUT	A.I.S.I. 304 / 316 / M.S.
9	SEAT	P.T.F.E.
10	SEAL	P.T.F.E.
11	BODY SEAL	P.T.F.E.
12	SIDE ADAPTOR SEAL	P.T.F.E.
13	SIDE ADAPTOR	A.I.S.I. 304 / 316 / M.S.
14	BOOSH	A.I.S.I. / 316 / M.S.



SIZE	A	B	C	D	E	F
15	82.5 M.M.	12.7 M.M.	54 M.M.	½" B.S.P. / N.P.T. (female)	41 M.M.	125 M.M.
20	89 M.M.	19 M.M.	57 M.M.	3/5" B.S.P. / N.P.T. (female)	45 M.M.	125 M.M.
25	105 M.M.	25 M.M.	78 M.M.	1" B.S.P. / N.P.T. (female)	52 M.M.	130 M.M.
40	139.5 M.M.	38 M.M.	94 M.M.	1.5" B.S.P. / N.P.T. (female)	70 M.M.	212 M.M.
50	159 M.M.	50 M.M.	116 M.M.	2" B.S.P. / N.P.T. (female)	79.5 M.M.	250 M.M.
65	179.5 M.M.	63 M.M.	148 M.M.	2.5" B.S.P. / N.P.T. (female)	90 M.M.	330 M.M.